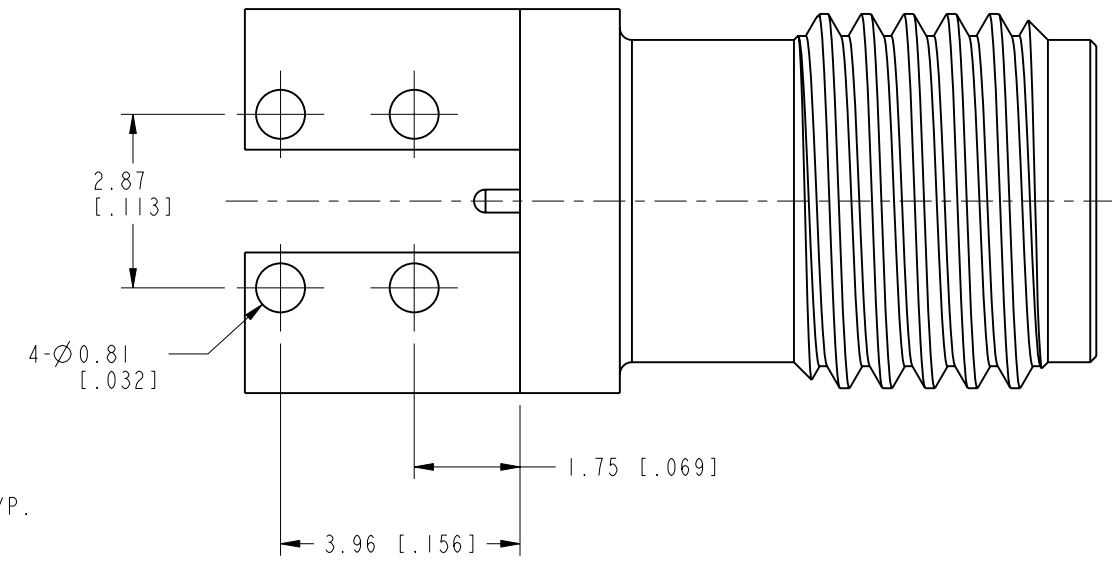
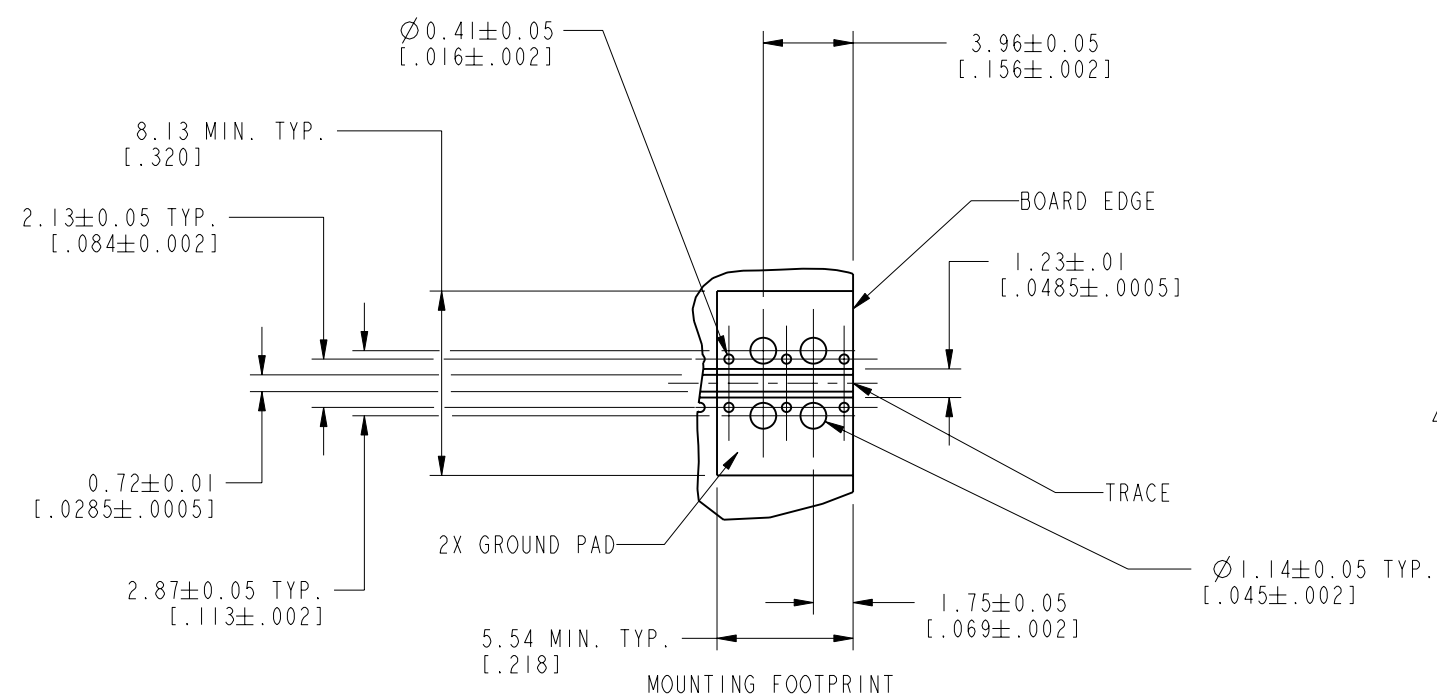
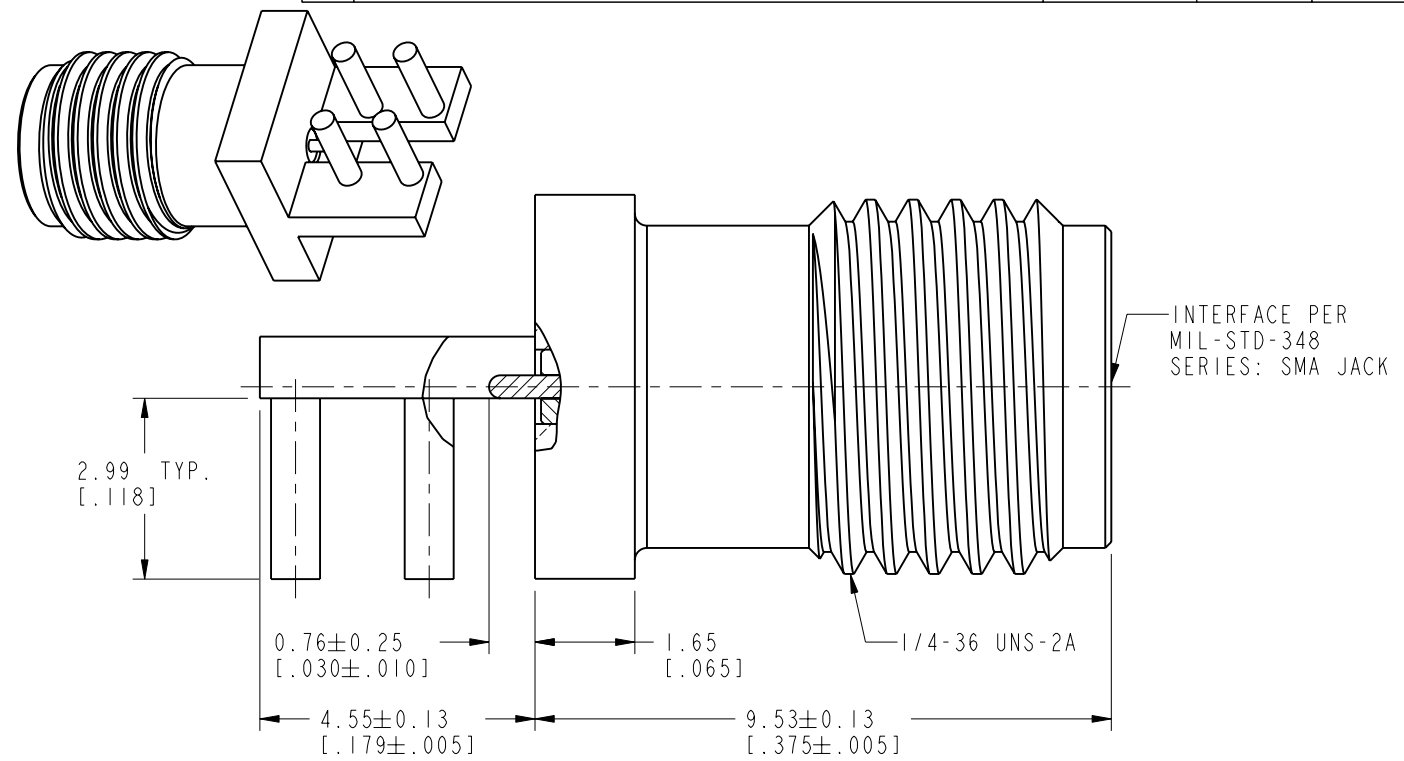
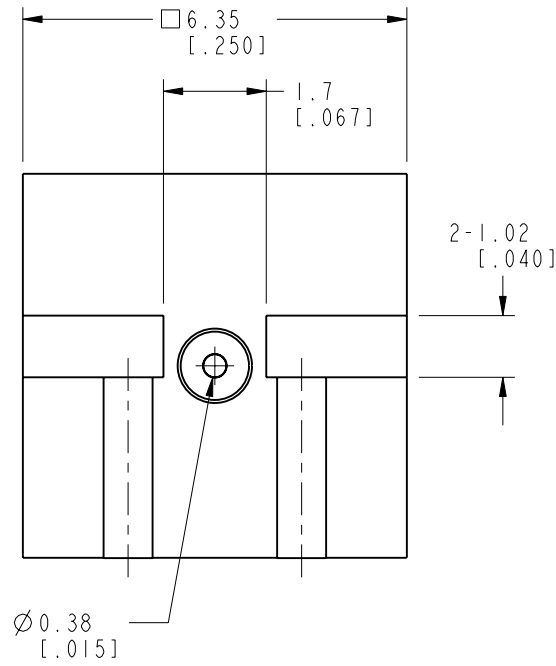


NOTES:

1. MATERIALS AND FINISHES:
 - BODY - BRASS, GOLD PLATING
 - CONTACT - BeCu, GOLD PLATING
 - INSULATOR - PTFE
2. ELECTRICAL:
 - A. IMPEDANCE: 50 OHM
 - B. FREQUENCY RANGE: 0-26.5 GHz
 - C. VSWR: 1.05+0.02 f (GHz) MAX. @ 0-18 GHz
1.5 MAX. @ 18-26.5 GHz
 - C. D.W.V: 500 VRMS.
 - D. INSULATION RESISTANCE: 1000 MΩ MIN.
 - E. CONTACT RESISTANCE:
 - CENTER CONATCT - INITIAL 3.0 MΩ MAX.
AFTER ENVIRONMENTAL 4.0 MΩ MAX.
 - OUTER CONATCT - INITIAL 2.0 MΩ MAX.
AFTER ENVIRONMENTAL NOT APPLICABLE
3. MECHANICAL:
 - A. DURABILITY: 500 CYCLES MIN.
 - B. TEMPERATURE RANGE: -65°C TO +165°C
 - C. ENGAGE/DISENGAGE TORQUE: 2 INCH-LBS MIN.
 - D. MATING TORQUE: 7-10 IN-LBS WHEN BODY SUPPORTED WITH WRENCH
8 IN-LBS MAX. UNSUPPORTED
 - E. CONTACT RETENTION: 4 LBS MIN. AXIAL FORCE ON PCB END
4 IN-OZ MIN. RADIAL TORQUE
4. PACKAGING:
 - A. QUANTITY: SINGLE PACK
 - B. MARKING: BAG TO BE MARKED
"AMPHENOLRF, 901-10512-1, AND DATE CODE"

THIRD ANGLE PROJ.		REVISIONS			
REV	DESCRIPTION	DATE	ECO	APPR	
A	RELEASE TO MFG.	11-Jul-16	00403	KCE	



CUSTOMER OUTLINE DRAWING
ALL OTHER SHEETS ARE FOR INTERNAL USE ONLY

<p>UNLESS OTHERWISE SPECIFIED, DIMENSIONS ARE IN METRIC AND TOLERANCES ARE:</p> <table style="width: 100%; border: none;"> <tr> <td style="text-align: center;"><0.5mm ± 0.05mm</td> <td style="text-align: center;">0.5 - 6mm ±0.1mm</td> <td style="text-align: center;">6 - 30mm ±0.2mm</td> <td style="text-align: center;">30 - 120mm ± 0.3mm</td> <td style="text-align: center;">ANGLES ±1°</td> </tr> </table> <p>NOTICE - These drawings, specifications, or other data (1) are, and remain the property of Amphenol corp. (2) must be returned upon request; and (3) are confidential and not to be disclosed to any person other than those to whom they are given by Amphenol Corp. the furnishing of these drawings, specifications, or other data by Amphenol Corp., or to any other person for any purpose is not to be regarded by implication or otherwise in any manner licensing, granting rights to permitting such holder or any other person to manufacture, use or sell any product, process or design, patented or otherwise, that may in any way be related to or disclosed by said drawings, specifications, or other data.</p>	<0.5mm ± 0.05mm	0.5 - 6mm ±0.1mm	6 - 30mm ±0.2mm	30 - 120mm ± 0.3mm	ANGLES ±1°	<p>MATERIAL SEE NOTES</p> <p>REFERENCE EAR# 6471</p> <p>CONFIGURATION LEVEL: In Work</p> <p>FINISH</p>	<p>DRAWN M. ZHANG</p> <p>ENGINEER S. DUAN</p> <p>APPROVED S. HSIEH</p> <p>CAD FILE</p>	<p>DATE 11-Jul-16</p> <p>DATE 11-Jul-16</p> <p>DATE 11-Jul-16</p>	<p>TITLE HIGH FREQ END LAUNCH SMA JACK ASSEMBLY, PC MOUNT, 15 MIL PIN</p> <p>SCALE: 8.0:1.0 SHEET 2 OF 2</p> <p>DWG SIZE B</p> <p>REV A</p>	<p>Amphenol RF</p> <p>www.amphenolrf.com</p> <p>DRAWING NO. 901-10512-1</p> <p>ITEM NO. 901-10512-1</p> <p>PART NO. 901-10512-1</p>
<0.5mm ± 0.05mm	0.5 - 6mm ±0.1mm	6 - 30mm ±0.2mm	30 - 120mm ± 0.3mm	ANGLES ±1°						